

# California Sidecar Cobra Lightbar

## PARTS LIST:

Supplied with all kits:

- 1 - lightbar assembly
- 2 - exhaust extensions
- 2 - 1-1/2" exhaust clamps

Not supplied if Lightbar is already installed:

- 4 - 1/4-20 x 3/4" hex head cap screws
- 2 - 1/4-20 x 1" hex head cap screws
- 6 - 1/4" x 1/4" thick rubber washers
- 6 - 1/4" flat washers
- 4 - scotch locks
- 1 - 72" rubber seal

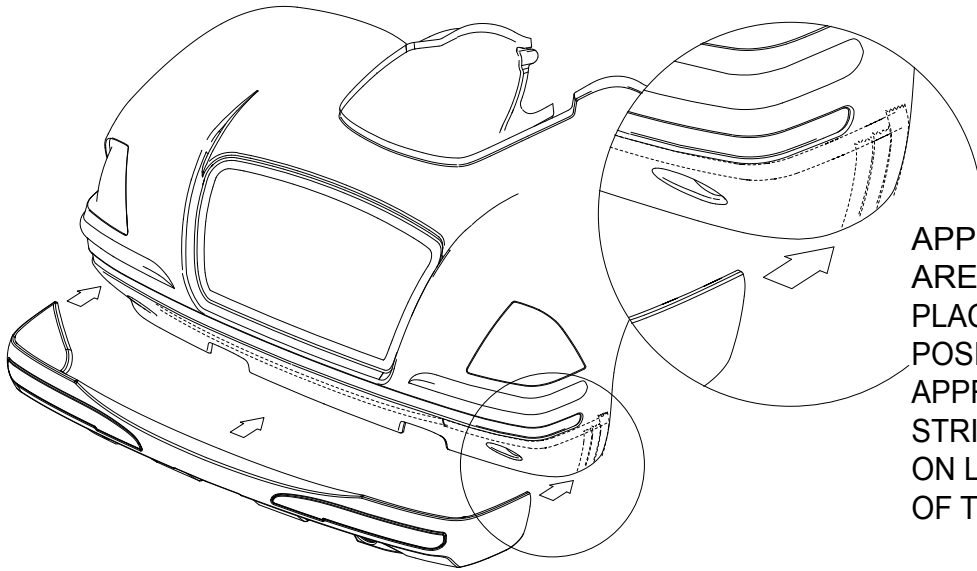
ALL ORDERS ARE TO BE DOUBLE  
CHECKED TO ELIMINATE SHIPPING  
ERRORS.

FILLED BY: \_\_\_\_\_

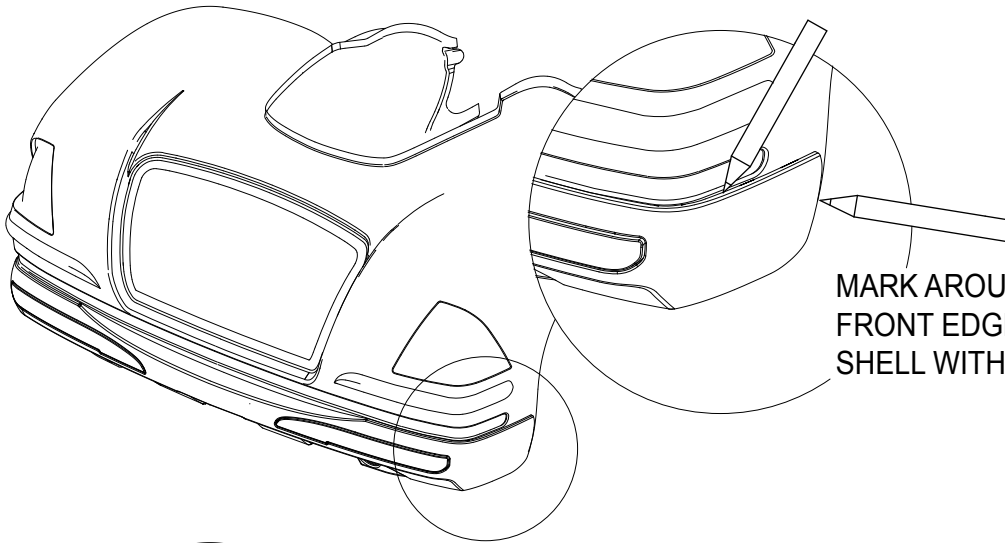
CHECKED/PACKED BY: \_\_\_\_\_

For installation assistance, call Parts & Technical Support at 434-263-8866.

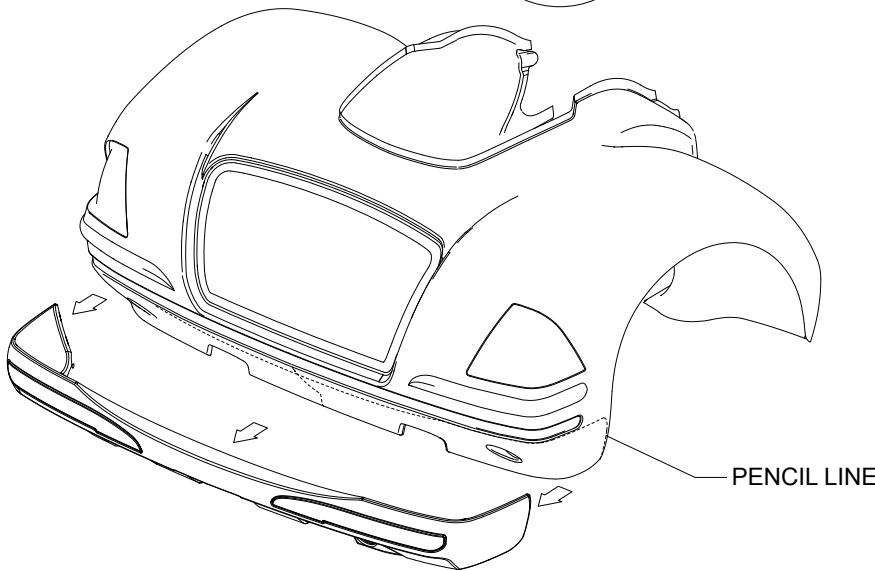




APPLY TAPE TO WORKING AREA TO PROTECT PAINT. PLACE LIGHTBAR IN DESIRED POSITION. IT IS MADE TO FIT APPROX 1/4" BELOW CHROME STRIP. ALIGN BOTTOM TABS ON LIGHTBAR WITH BOTTOM OF TRIKE BODY.

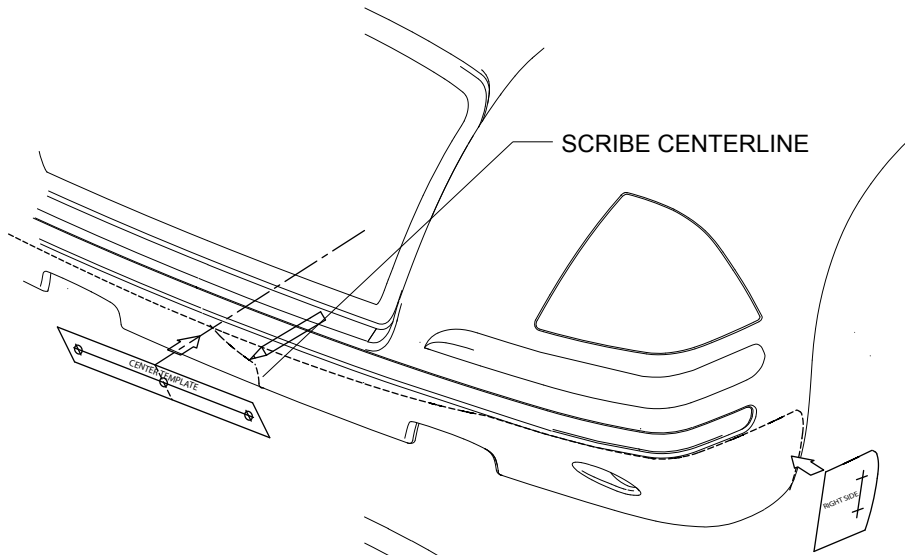


MARK AROUND TOP EDGE AND FRONT EDGE OF LIGHTBAR SHELL WITH WAX PENCIL.

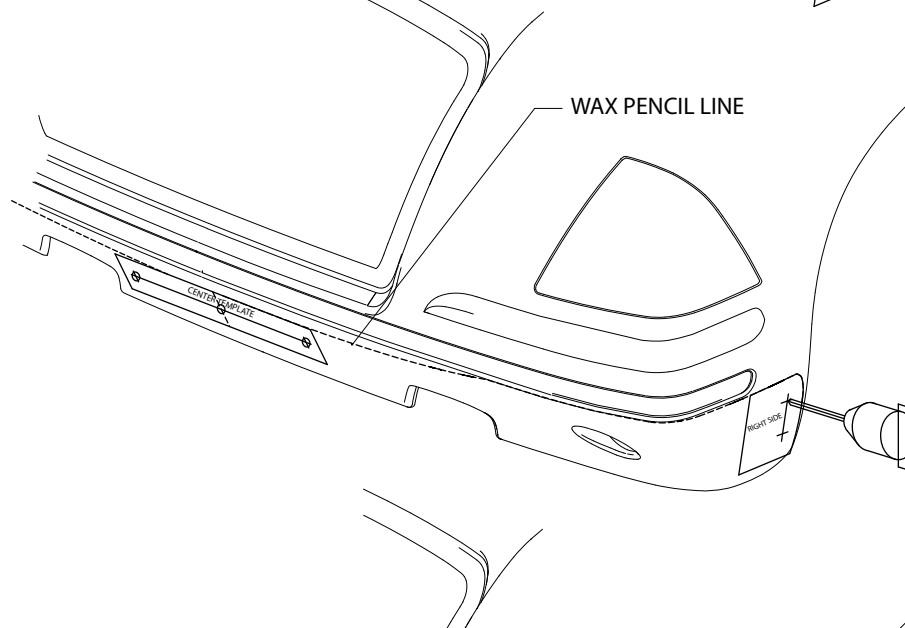


REMOVE LIGHTBAR FROM BODY. LOCATE DRILL TEMPLATES ON PAGES 1.6 AND 1.7. CUT OUT PROFILES AS INSTRUCTED

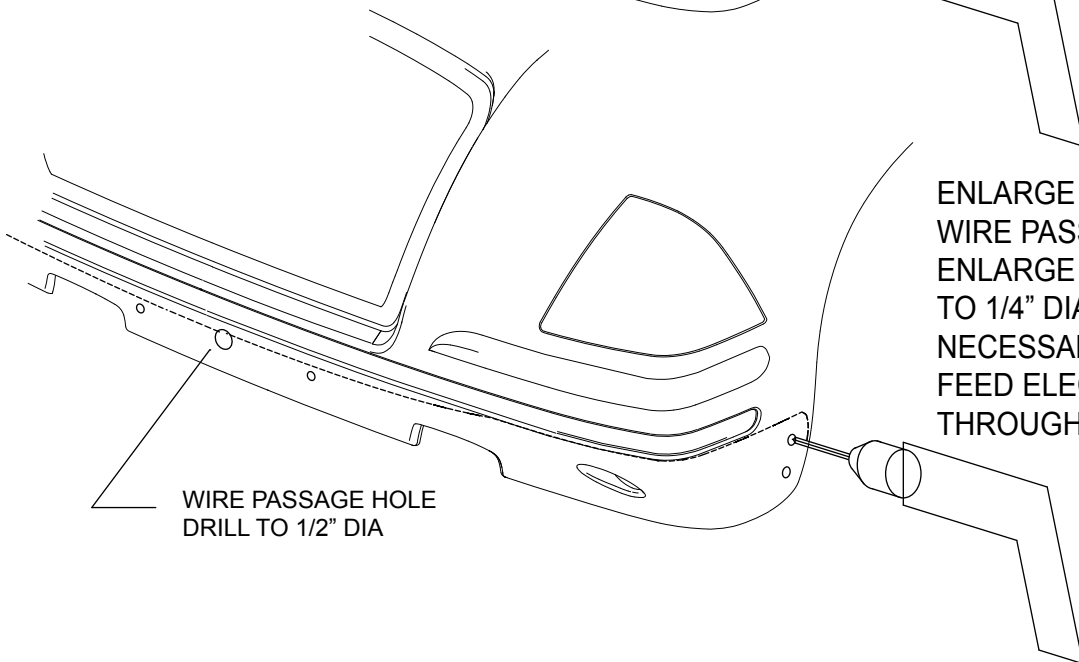
PENCIL LINE



APPLY 3 PAPER TEMPLATES TO LOCATE DRILL HOLES. DRAW CENTERLINE ALONG REAR PORTION OF BODY. (CENTERLINE MUST BE EQUI-DISTANT FROM EXHAUST CUTOUTS AND CROSS HORIZONTAL PENCIL LINE SCRIBED.)



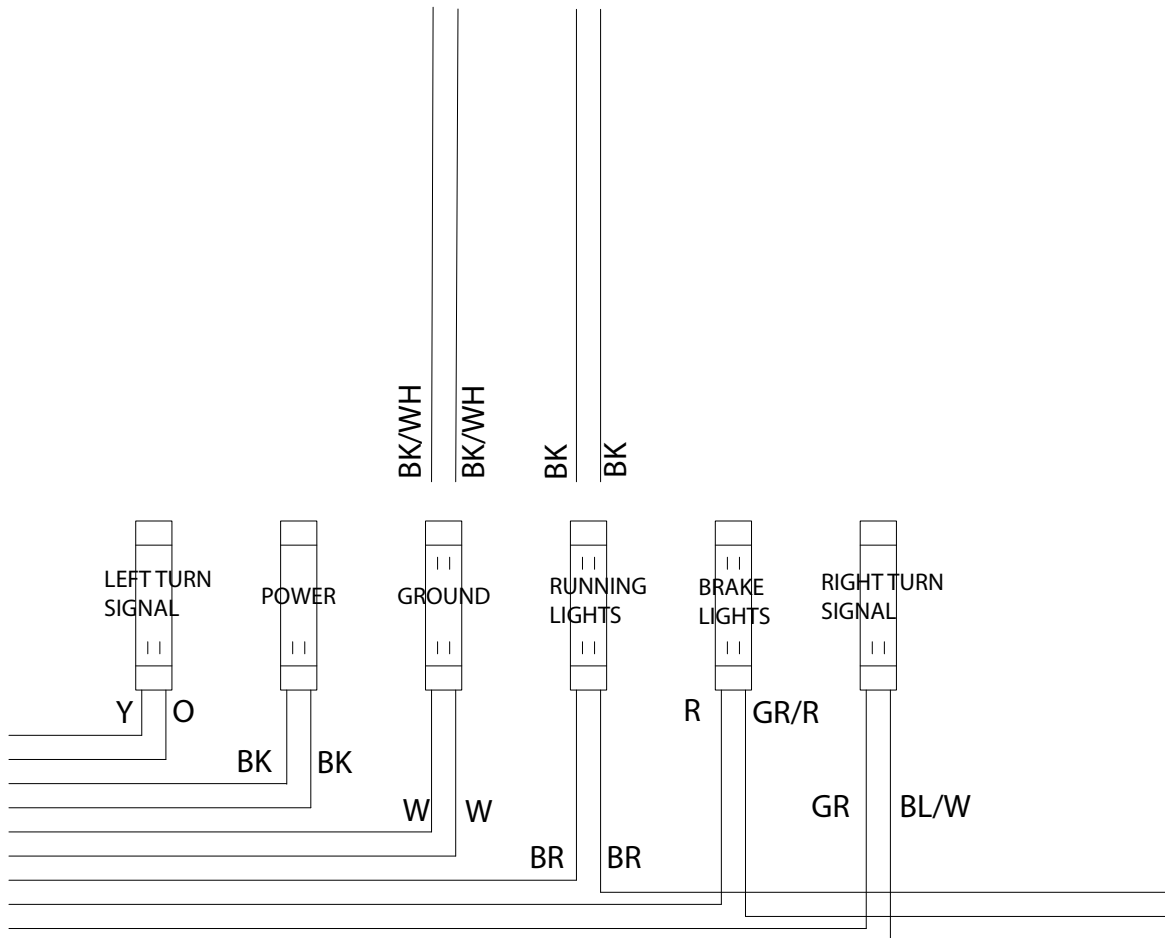
PEEL BACK INTERIOR CARPET TO EXPOSE REAR LIGHT WIRES UNDERNEATH HINGES. DRILL PILOT HOLES THROUGH ALL CROSSHAIRS USING 1/8" DIA BIT. REMOVE TAPE AND TEMPLATES. (7 HOLES TOTAL)



ENLARGE CENTER HOLE FOR WIRE PASSAGE TO 1/2" DIA. ENLARGE ALL OTHER HOLES TO 1/4" DIA. ELONGATE IF NECESSARY. FEED ELECTRICAL WIRES THROUGH CENTER HOLES.

WIRE PASSAGE HOLE DRILL TO 1/2" DIA

# TO LIGHT-BAR



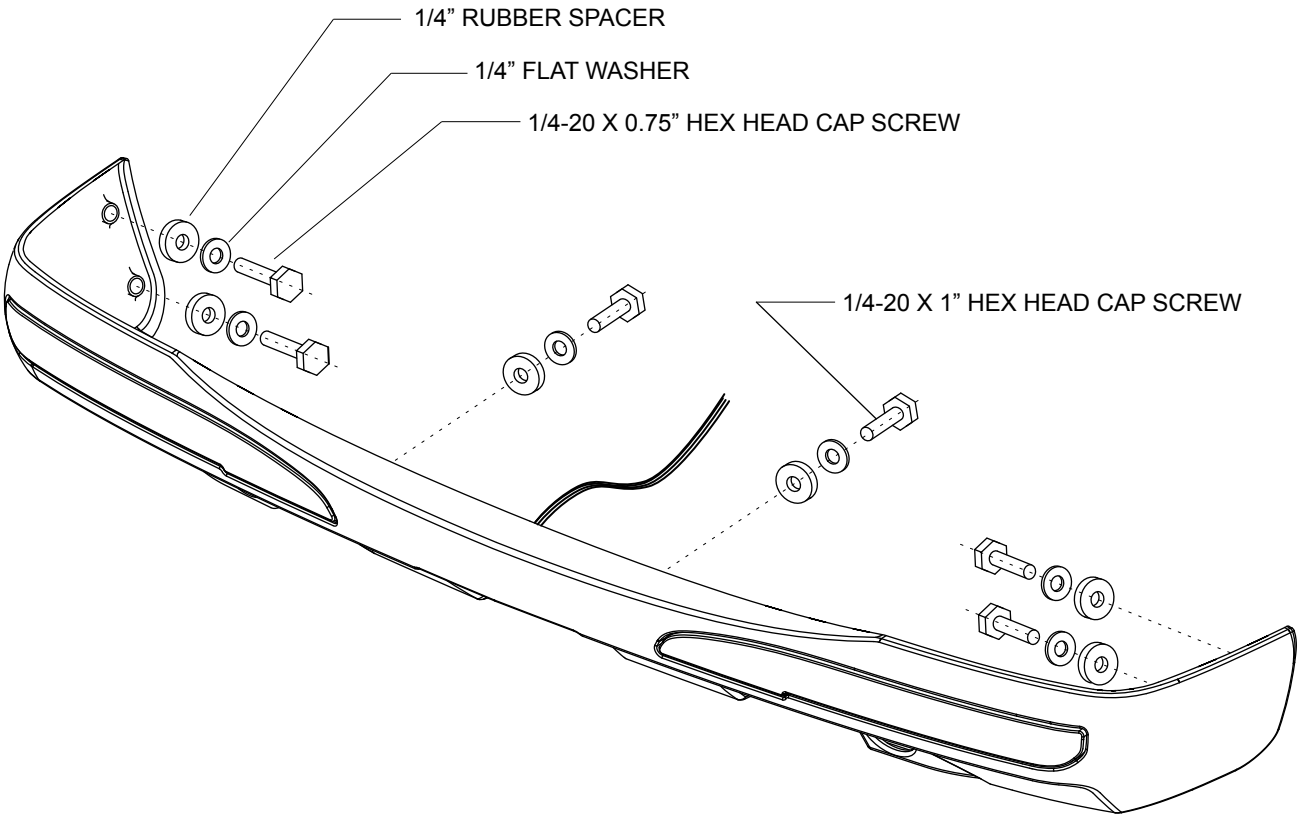
WIRES ARE COLOR CODED FOR EACH ELECTRICAL FUNCTION ON THE TRIKE BODY

MATCH UP EACH WIRE:

- |          |                           |
|----------|---------------------------|
| LIGHTBAR | - BK/WH IS GROUND         |
|          | - BLACK IS RUNNING LIGHTS |
| BODY     | -WHITE IS GROUND          |
|          | -BROWN IS RUNNING LIGHTS  |

CUT AND TRIM BACK A SECTION OF WIRE FOR EACH OF THE ABOVE FROM THE TRIKE. ATTACH TOGETHER USING SCOTCH LOCKS PROVIDED. PLACE EACH END OF WIRE INTO THE GROOVE AND CLOSE LOCK TO SECURE. REPEAT FOR BRAKE LIGHTS AND RUNNING LIGHTS.

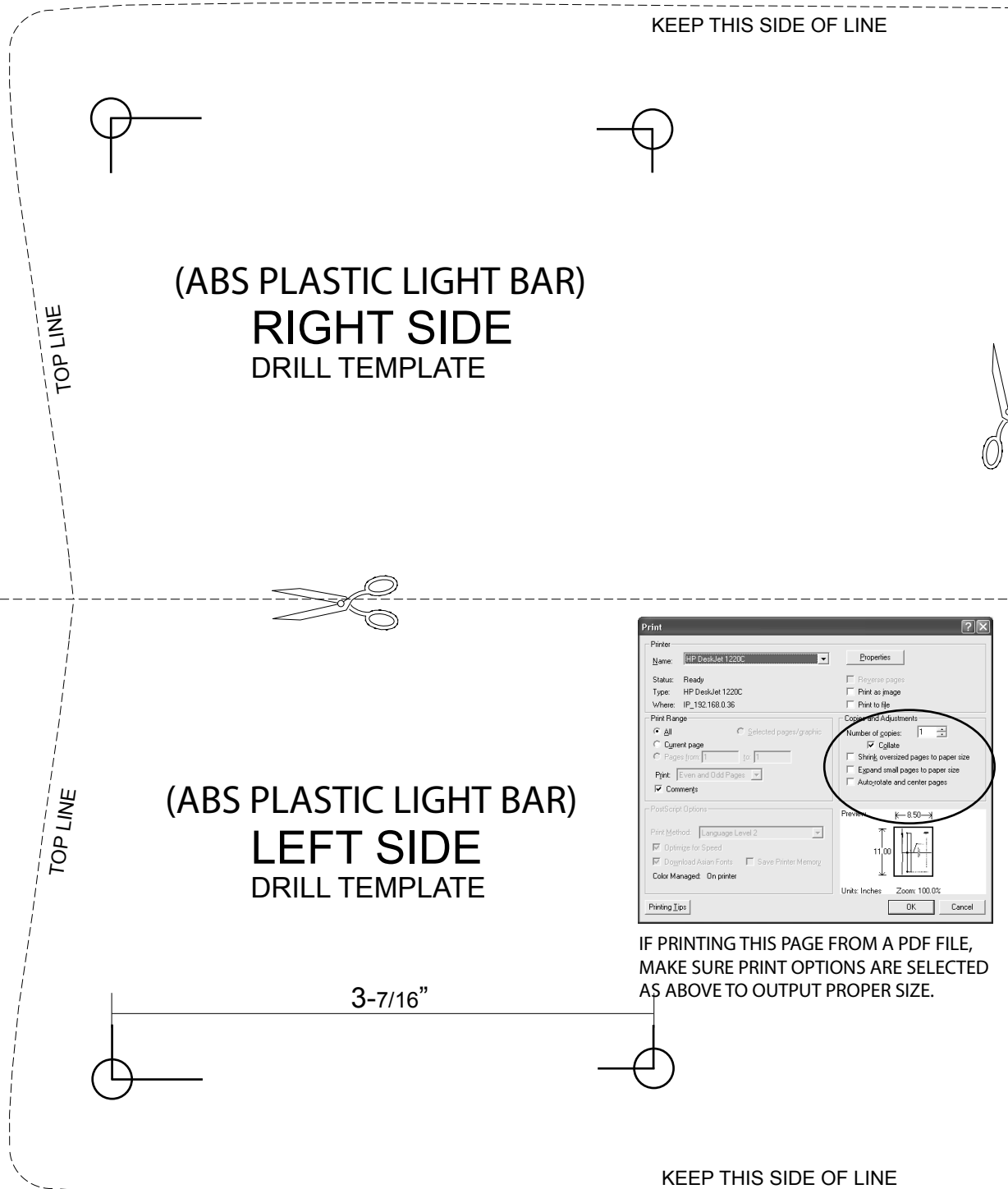
ON RETRO INSTALLATIONS, RUN REVERSE LIGHT WIRES FROM EXISTING WIRES FOUND IN THE WHEEL WELLS.



FEED WIRES THROUGH CENTER HOLE DRILLED IN BODY AND RE-INSTALL LIGHTBAR. APPLY FASTENERS AS SHOWN ABOVE. USE LOCTITE WHEN SECURING BOLTS.

#### EXHAUST EXTENSIONS

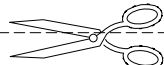
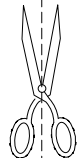
ON RETROFITS, REMOVE CHROME EXHAUST TIPS BY LOOSENING EXHAUST CLAMP NUTS. INSTALL EXHAUST EXTENSIONS TO END OF PIPE AND SECURE WITH CLAMP SUPPLIED WITH LIGHTBAR KIT.



KEEP THIS SIDE OF LINE

(ABS PLASTIC LIGHT BAR)  
**RIGHT SIDE**  
 DRILL TEMPLATE

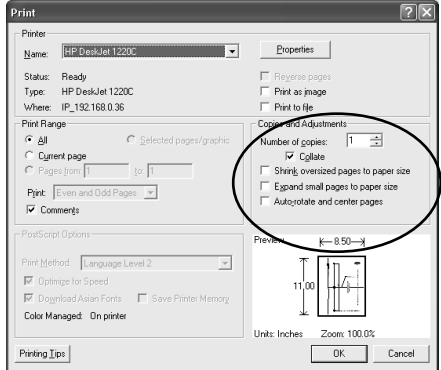
TOP LINE



(ABS PLASTIC LIGHT BAR)  
**LEFT SIDE**  
 DRILL TEMPLATE

TOP LINE

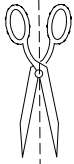
3-7/16"



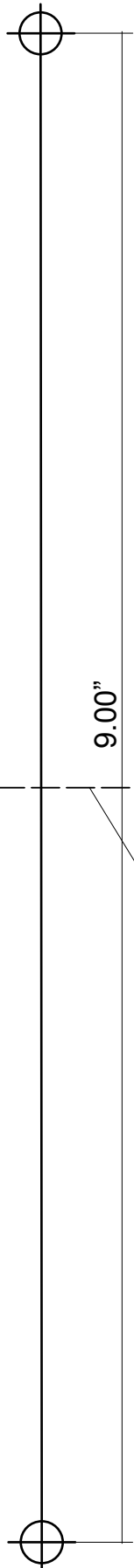
IF PRINTING THIS PAGE FROM A PDF FILE,  
 MAKE SURE PRINT OPTIONS ARE SELECTED  
 AS ABOVE TO OUTPUT PROPER SIZE.

KEEP THIS SIDE OF LINE

VERIFY DIMENSION SHOWN. CUT ALONG DOTTED LINES. SAVE BOTH INSIDE CUTOUTS.



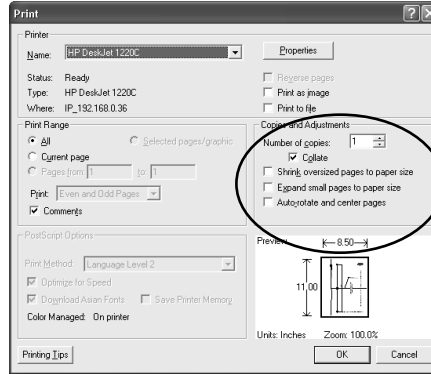
KEEP THIS SIDE OF LINE



9.00"

# CENTER MOUNT DRILL TEMPLATE

CENTER LINE  
DO NOT CUT THIS LINE



IF PRINTING THIS PAGE FROM A PDF FILE,  
MAKE SURE PRINT OPTIONS ARE SELECTED  
AS ABOVE TO OUTPUT PROPER SIZE.

VERIFY DIMENSION SHOWN. CUT ALONG DOTTED LINE . SAVE THIS SIDE OF CUTOUT.