

ELECTRIC REVERSE

BY **CSC**
TRIKES

INSTALLATION INSTRUCTIONS FOR HARLEY DAVIDSON TRIKE MODELS

Revised 1 - 2012

1.) ELECTRICAL

- 1 - Electric Reverse Control Module
- 2 - Wiring Harness
 - 1 - Reverse Button
- 1 - Cable Set
- 1 - Terminal Boot
- 3 - Scotch lock connector
- 2 - Butt connector
- 1 - Neoprene strip
- 1 - 21" Cable Tie

**ALL ORDERS ARE DOUBLE
CHECKED TO ELIMINATE
SHIPPING ERRORS.**

FILLED BY: _____

CHECKED & PACKED BY: _____

CALIFORNIA SIDECAR PARTS & TECHNICAL SUPPORT
434.263.8866

Warnings and considerations:

1. **Disclaimer** - These instructions assume a level of understanding of motorcycle repair and maintenance beyond that of a “beginner” and/or “novice” and California Sidecar cannot be liable for an installer’s failure to understand or follow these instructions as written. Likewise, California Sidecar cannot be responsible if any of the steps are omitted or shortcuts are taken, or parts other than those supplied by California Sidecar, are used in installing this trike kit.
2. **“WARNINGS”** are all printed in bold type and capitalized. They mean to use extreme care in a given step so as not to damage the part, motorcycle, and/or yourself.
3. **Always** wear safety glasses when using hand and/or power tools.
4. When working in and around the fuel system, **always** work in a well-ventilated area, free from sparks and open flames.
5. All directional references to the “right side” and the “left side” are as you were seated on the motorcycle.
6. All directional references to “forward” mean to the front of the motorcycle while “back” means the rear of the motorcycle unless otherwise stated.
7. Please consult the appropriate Service Manual for your motorcycle if further detail is necessary.

INSTALL REVERSE AND ALL ITS PARTS DURING INSTALLATION AND BEFORE THE BODY IS INSTALLED.

Assembly:

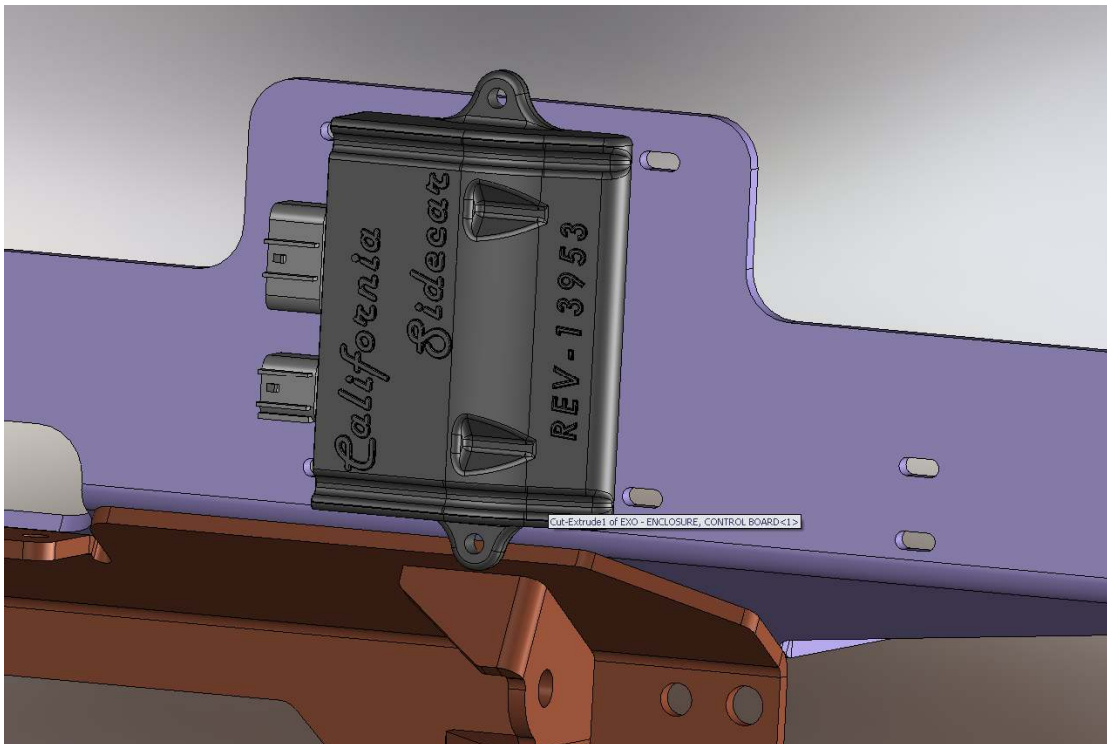
- 1. If equipped with a Preloader. Install neoprene strip on preloader to protect the positive cable.**
- 2. Once 28 MM and 50 MM belts are tensioned and all clamping bolts are tightened. Tension Reverse belt.**
- 3. Sonic Tension Meter specs:**
 - MASS 004.7**
 - WIDTH 021.0**
 - SPAN 0213**
- 4. Reverse Belt Tension:**
 - SINGLE SPAN TENSION: 49-55 lbs.**

DAYTONA MODELS:

- 1. Using two sided tape install Reverse module on the intermediate mount. Plugs pointing up and forward.**
- 2. Using a 1/2 inch drill bit. Drill thru the inner fairing opposite of the odometer trip reset button.**
- 3. Ensure the rubber washer is on the Reverse switch, then insert the wire thru fairing and install nut and tighten.**

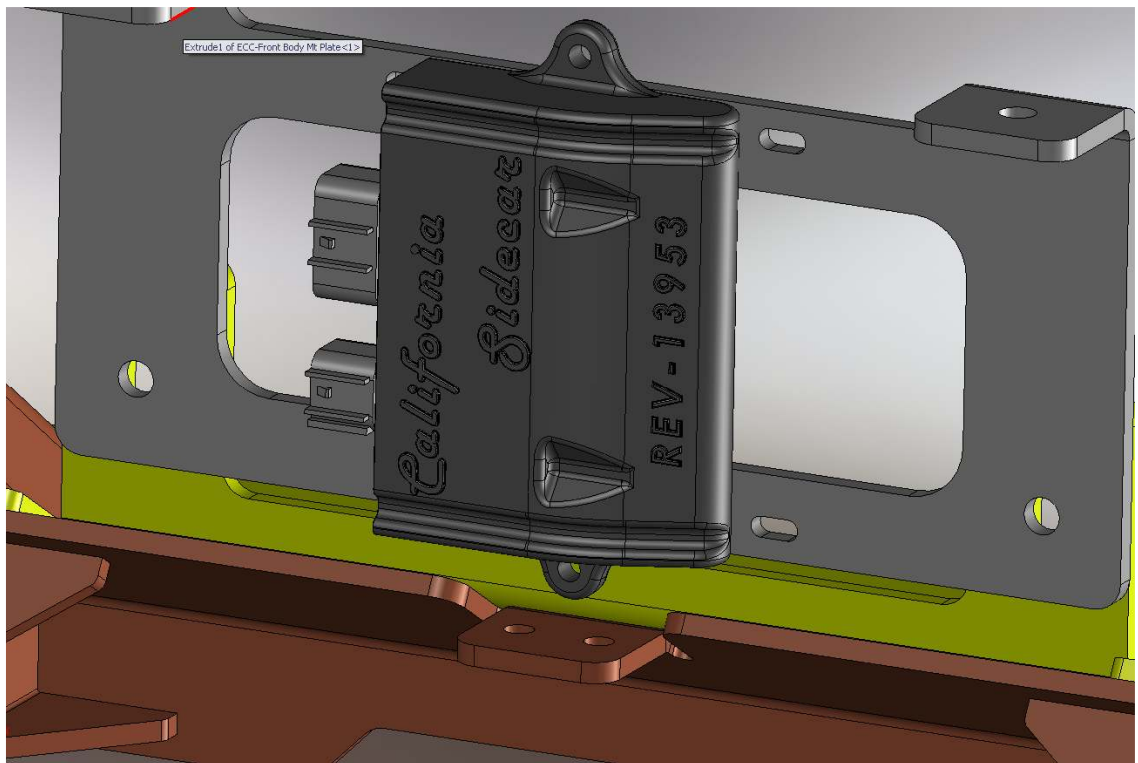
VOLUSIA MODELS:

1. Using two sided tape install Reverse module on the Upper Mount Plate or if applicable, secure to Rear Mount Plate with cable ties turned 90°.
2. Using a 1/2 inch drill bit. Drill thru the right side head light tin opposite of the spot light switch.
3. Ensure the rubber washer is on the Reverse switch, then insert the wire thru the head light tin and install nut and tighten.



CUSTOM MODELS:

1. Install Reverse module on the Adjustable 90° Support bracket turned 90° with two zip ties using slots provided.
2. Remove the ignition coil cover. Using a 1/2 inch drill bit. Drill thru the top left of the ignition coil cover.
3. Ensure the rubber washer is on the Reverse switch, then insert the wire thru the cover and install nut and tighten.



Wiring:

1. Plug both harnesses into the Reverse module.
 2. Route the single blue wire to the Reverse motor.
 3. Route the long wire harness up under the seat and fuel tank into the head light area.
 4. Connect the harness to Reverse switch.
 5. Using a scotch lock, connect the brown wire to the tan neutral wire at neutral light.
 6. In the left handlebar harness. Locate yellow/black horn wire and cut. Using butt connectors. Connect yellow wire to the button side and black wire to the harness side.
 7. Locate the yellow/green wire (fuel pump) just behind the fuel tank. Using a scotch lock, connect to the green wire.
- NOTE:** If installing Reverse on a carbureted bike. Connect the green wire to either the orange/white accessory wire or the blue tail light wire at the fender plug.
8. Locate the red/yellow wire (brake light) under the seat at the fender plug. Using a scotch lock, connect to the red/yellow wire.
 9. Install the black negative cable and white wire to the lower long mounting bolt on the Reverse motor. Route the negative cable to the battery.

DAYTONA MODELS:

1. Install terminal boot onto red positive cable.
 2. Connect the red positive cable and the red wire to the stud on the Reverse motor solenoid.
- NOTE:** The red and white wire may also be routed directly to battery.
3. Route the positive cable under the battery box to the motorcycle starter solenoid stud.

4. Using provided cable tie, secure the positive cable to the Reverse motor.
5. Ensure that all wires and miscellaneous components are secured to the frame with cable ties.

VOLUSIA AND CUSTOM MODELS:

1. Install terminal boot onto red positive cable.
2. Connect the red positive cable to the stud on the Reverse motor solenoid.
3. Route the red positive cable to the positive post on the battery.
4. Connect the red wire to the orange/white wire (accessory) at the fender plug.
5. Using provided cable tie, secure the positive cable to the Reverse motor.
6. Ensure that all wires and miscellaneous components are secured to the frame with cable ties.

Operating the Electric Reverse:

1. With the Trike in neutral. Start the engine.
2. Depress the reverse switch and the red LED will light up.
3. Press the horn button and the trike will then back up.
4. If the brakes are applied the reverse will pause until the brakes are no longer being used.

**From all of us at California Sidecar.
Enjoy the ride!**

CALIFORNIA SIDECAR PARTS & TECHNICAL SUPPORT
434.263.8866