

PRELOADER INSTALLATION

1.) PRELOADER ASSEMBLY

- 1 - Remote Adjuster
- 1 - Preloader Actuator
- 1 - Hydraulic Line

2.) MOUNTING BRACKET

- 1 - Mounting Bracket
- 1 - 5/16-18 x 1 1/4 HHCS
- 1 - 5/16 Flat Washer
- 1 - 1/4-20 x 1 HHCS
- 2 - 1/4 Flat Washer
- 1 - 1/4-20 Nyloc Nut
- 3 - 10-32 X 1 BHSCS

**ALL ORDERS ARE DOUBLE
CHECKED TO ELIMINATE
SHIPPING ERRORS.**

FILLED BY: _____

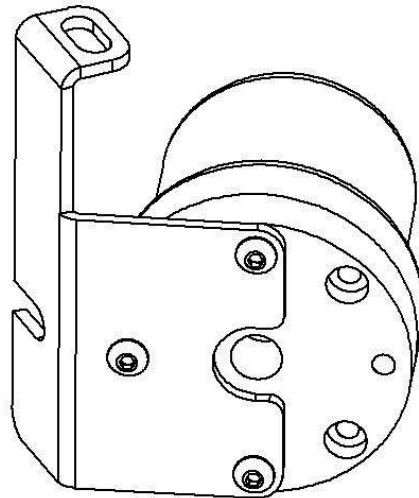
CHECKED & PACKED BY: _____

Warnings and considerations:

- 1.Disclaimer** - These instructions assume a level of understanding of motorcycle repair and maintenance beyond that of a “beginner” and/or “novice” and California Sidecar cannot be liable for an installer’s failure to understand or follow these instructions as written. Likewise, California Sidecar cannot be responsible if any of the steps are omitted or shortcuts are taken, or parts other than those supplied by California Sidecar are used.
- 2.“WARNINGS”** are all printed in bold type and capitalized. They mean to use extreme care in a given step so as not to damage the part, motorcycle, and/or yourself.
- 3.Always** wear safety glasses when using hand and/or power tools.
- 4.**When working in and around the fuel system, **always** work in a well-ventilated area, free from sparks and open flames.
- 5.**All directional references to the “right side” and the “left side” are as you were seated on the motorcycle.
- 6.**All directional references to “forward” mean to the front of the motorcycle while “back” means the rear of the motorcycle unless otherwise stated.

Preloader Installation:

- 1. Install the Mounting Bracket onto the Remote Adjuster using the three 10-32 x 1 BHSCS.**
- 2. Remove and discard the rubber bumper.**
- 3. Remove the left side bolt from the ECM mount.**
- 4. Remove the left oil tank mounting bolt.**
- 5. Install 1/4-20 x 1 HHCS with 1/4 Flat Washer into the ECM mount.**
- 6. Loosely install 5/16-18 x 1 1/4 HHCS with Flat Washer into the oil tank mount.**
- 7. Install the Remote Adjuster onto the 1/4-20 x 1 HHCS with Flat Washer and Nyloc Nut.**
- 8. Install the slot of the mount onto the 5/16-18 x 1 1/4 HHCS.**
- 9. Tighten all fasteners.**



**From all of us at California Sidecar.
Enjoy the ride!**